



E062324 ELO-STAND-SELF-SERVICE-DESKTOP

E062510 ELO-STAND-SELF-SERVICE-FLOOR EXT

E062704 KIT-EMV-CRADLE-VF-MX915-ING-ISC250

E062899 KIT-EMV-INGENICO IPP350 CRADLE-SS

Contents for kit:

E062324 ELO-STAND-SELF-SERVICE-DESKTOP



Tie-wrap
Qty. 2



Bag A:
SCREW, M4X10, ROUND-HEAD,
FLANGE, HEX
Qty. 2

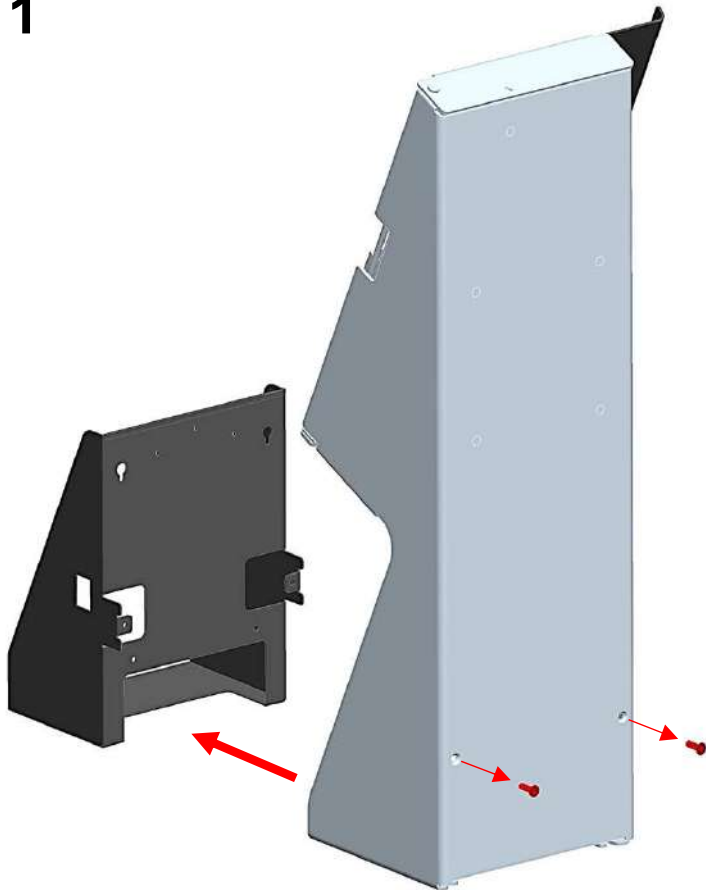


Bag B:
SCREW, M4X10, FLAT-HEAD, HEX
Qty. 4



Bag C:
SCREW, M3X8, PAN-HEAD,
CROSS-RECESS
Qty. 3

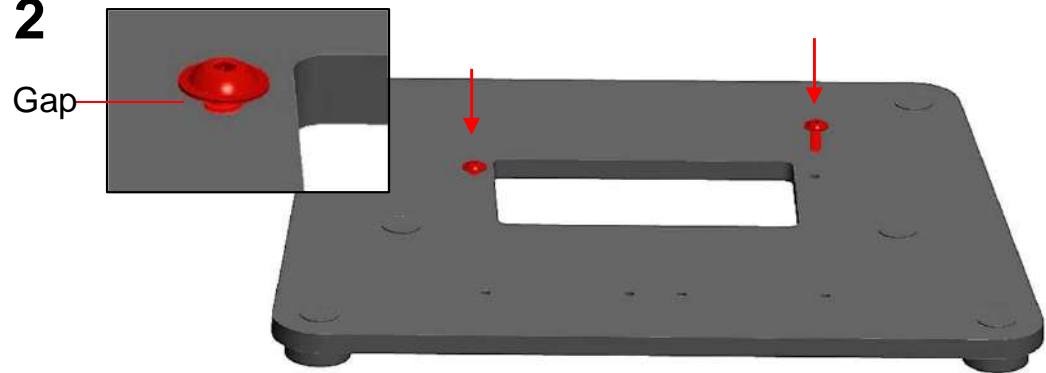
1



Remove and save (2) screws on rear of stand with provided hex wrench, pull out printer tray.

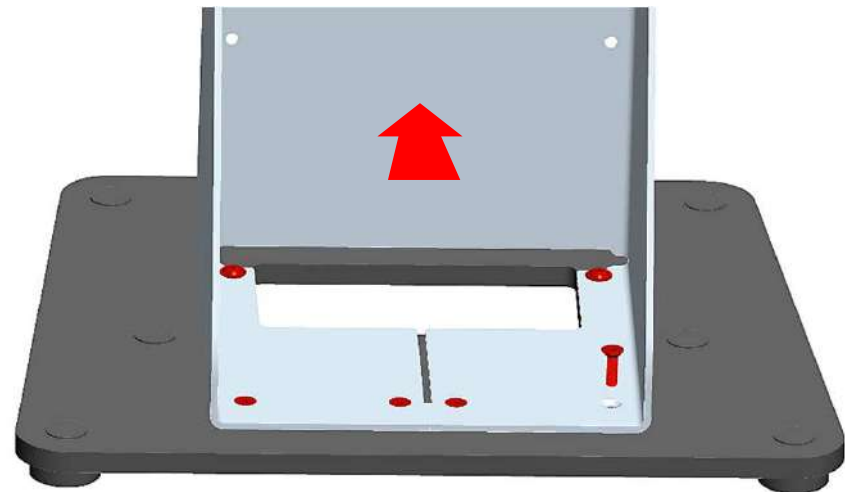
For Floor Stand, go to step 4
For Countertop Stand, continue to step 2

2



Add (2) screws from bag "A"; leave ~3mm (1/8") gap for stand.

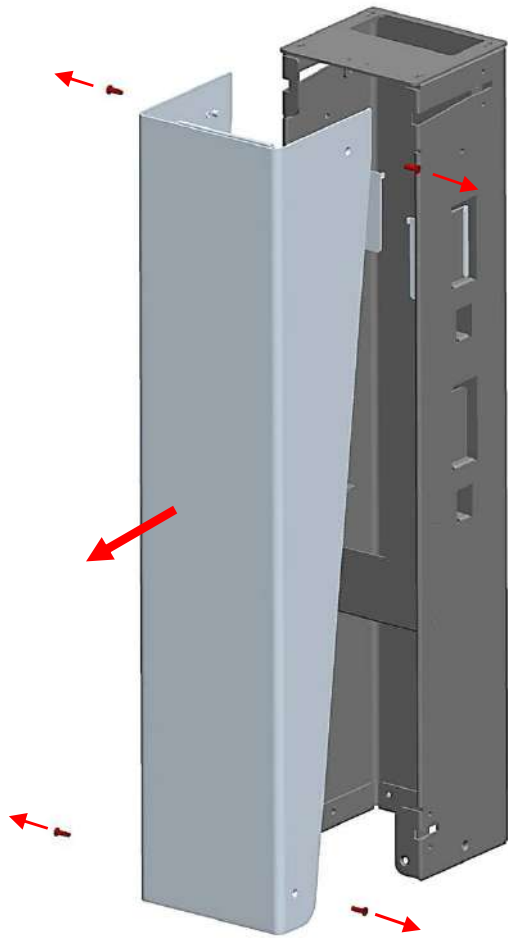
3



Align slots on bottom rear of stand with (2) screws on base and slide on stand. Add (4) screws from bag "B". Tighten (2) screws at rear.

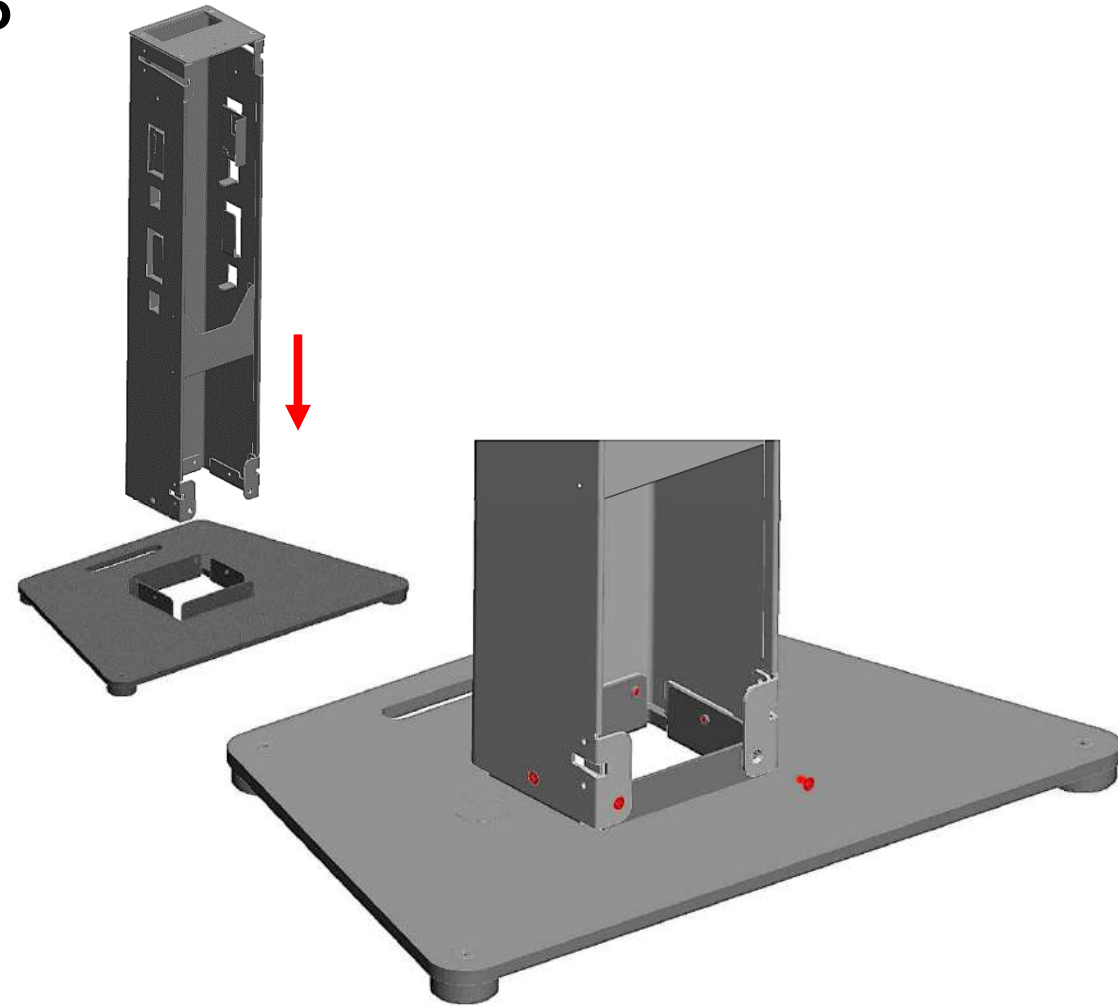
Continue to step 12 for Countertop Stand

4



Remove and save (4) hex-head screws on the left and right of the stand with provided hex wrench. Pull off the silver cover and set aside.

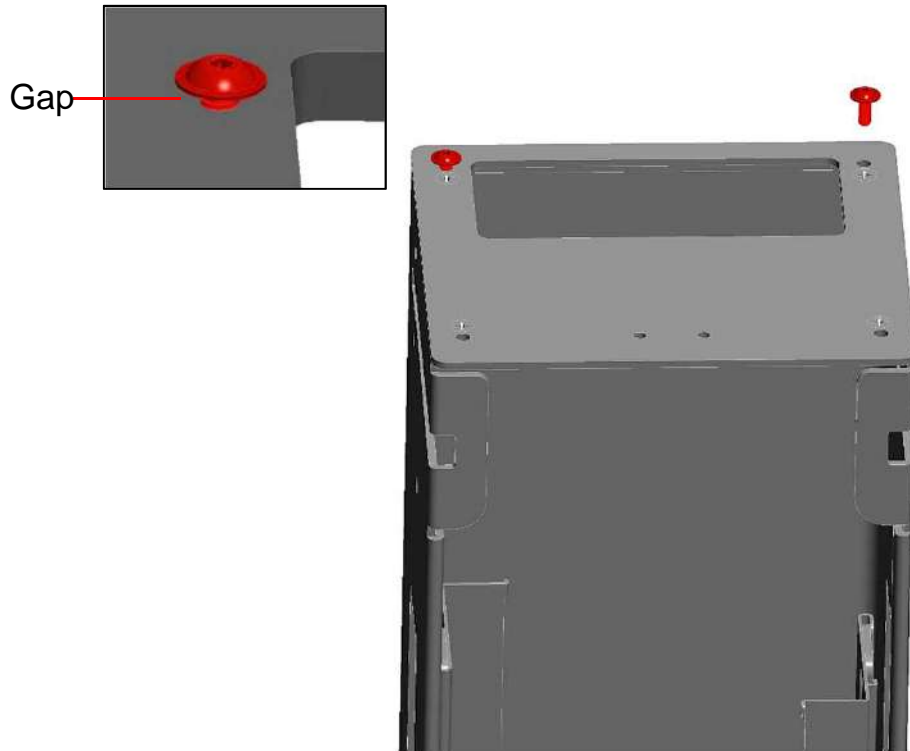
5



Assemble base plate to tower using (6) screws from bag "K".

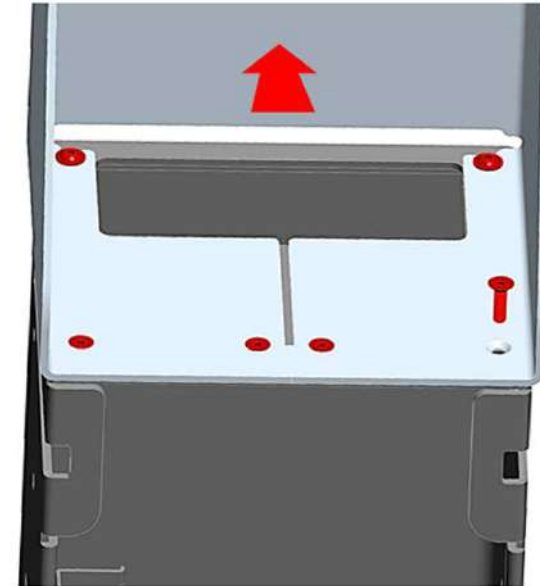
Continue to step 6 for Floor Stand

6



Add (2) screws from bag "A";
leave ~3mm (1/8") gap for stand.

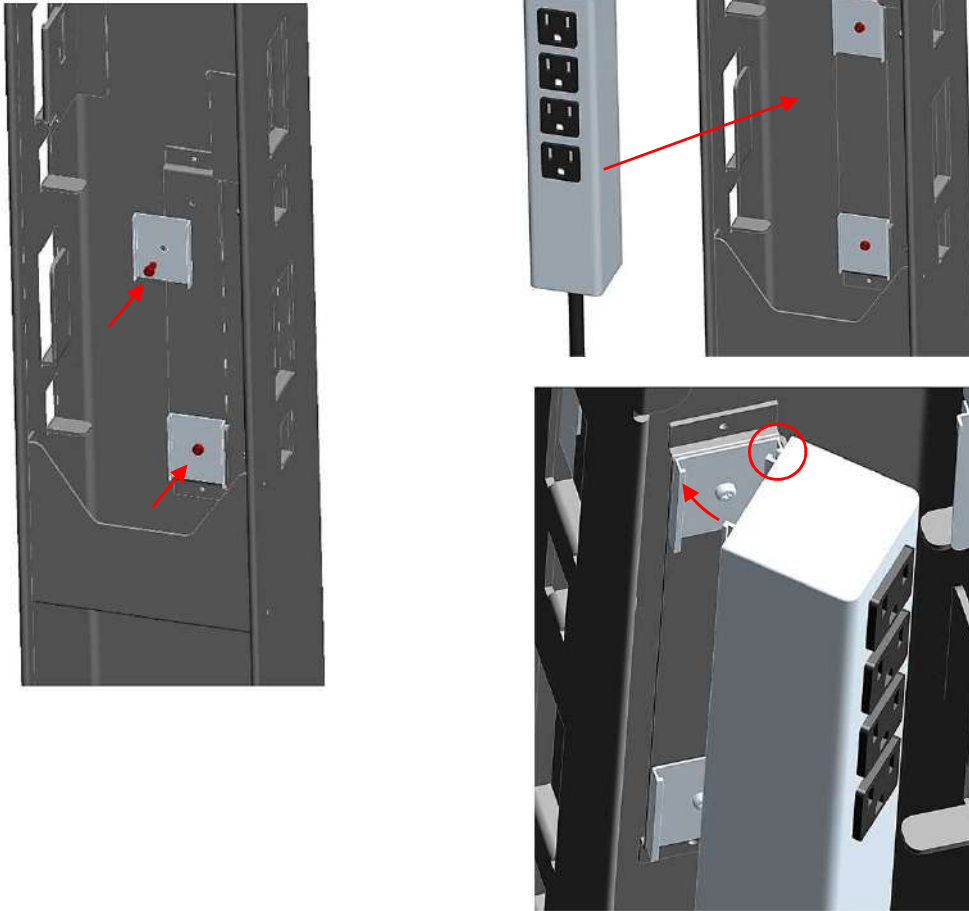
7



Align slots on bottom rear of stand with (2) screws
on base and slide on stand. Add (4) screws from
bag "B". Tighten (2) screws at rear.

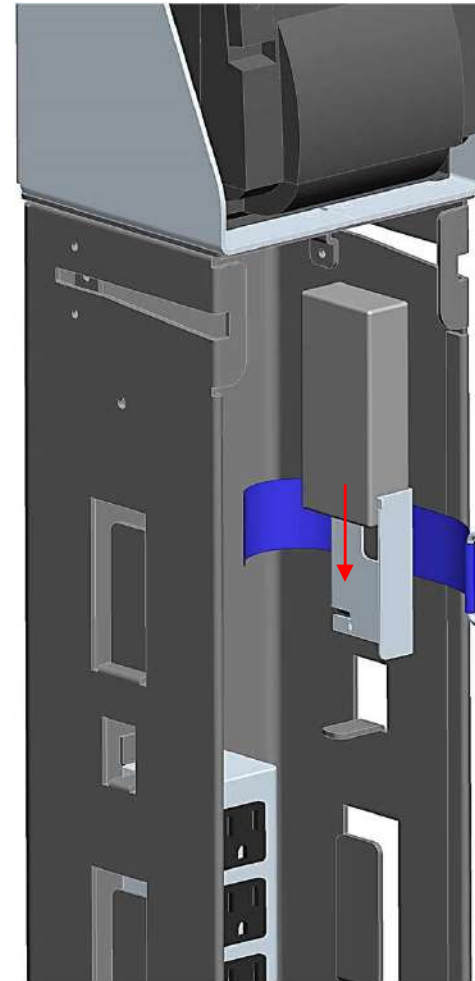
Continue to step 8 for Floor Stand

8



Add power strip brackets (supplied with power strip) using (2) screws from bag "L". Hook one side of power strip onto brackets than push to snap down.

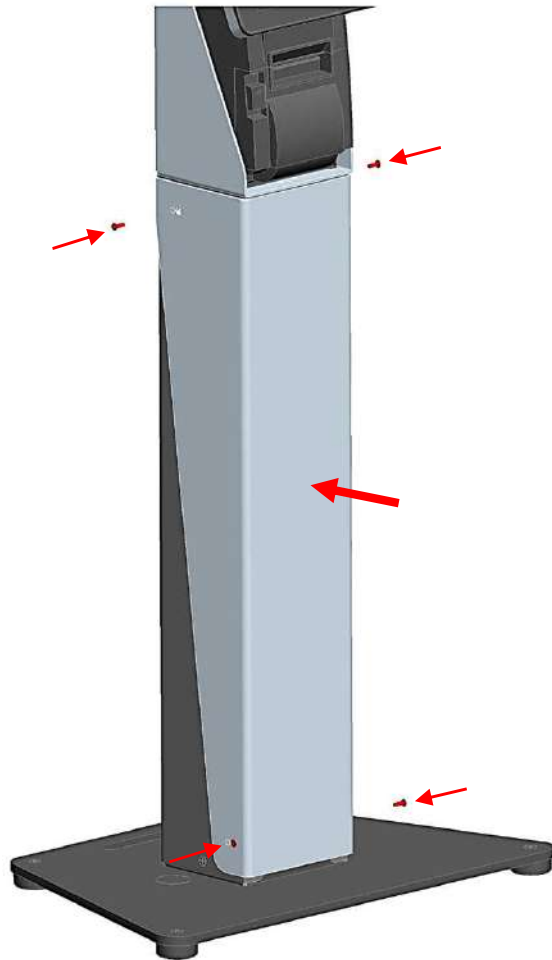
9



Add power bricks into tower using provided straps.

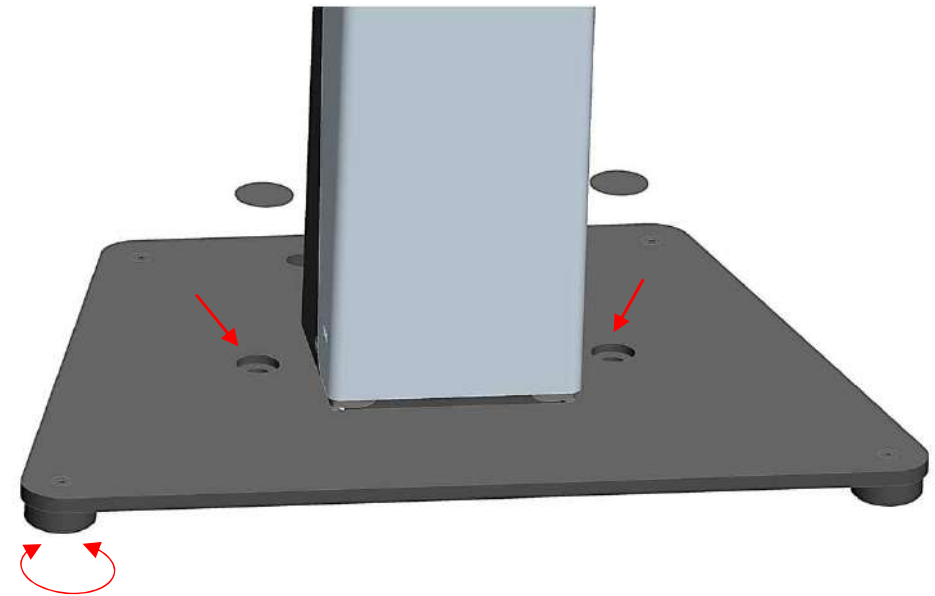
Continue to step **10** for Floor Stand

10



Replace floor stand cover and secure using (4) screws saved from step 4.

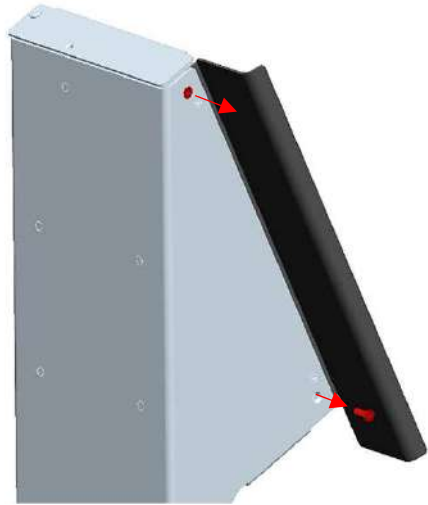
11



(2) bolt holes available on top of base to secure stand to floor. Feet can be adjusted in case of uneven surfaces.

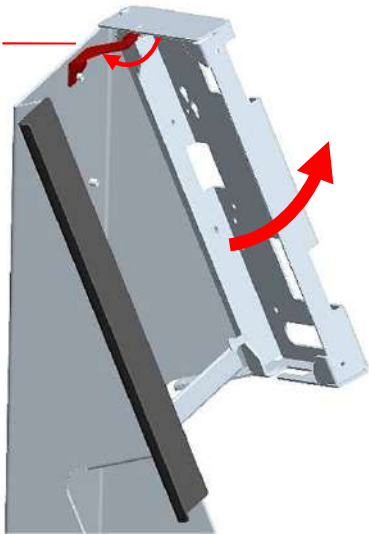
Continue to step **12** for Floor Stand

12



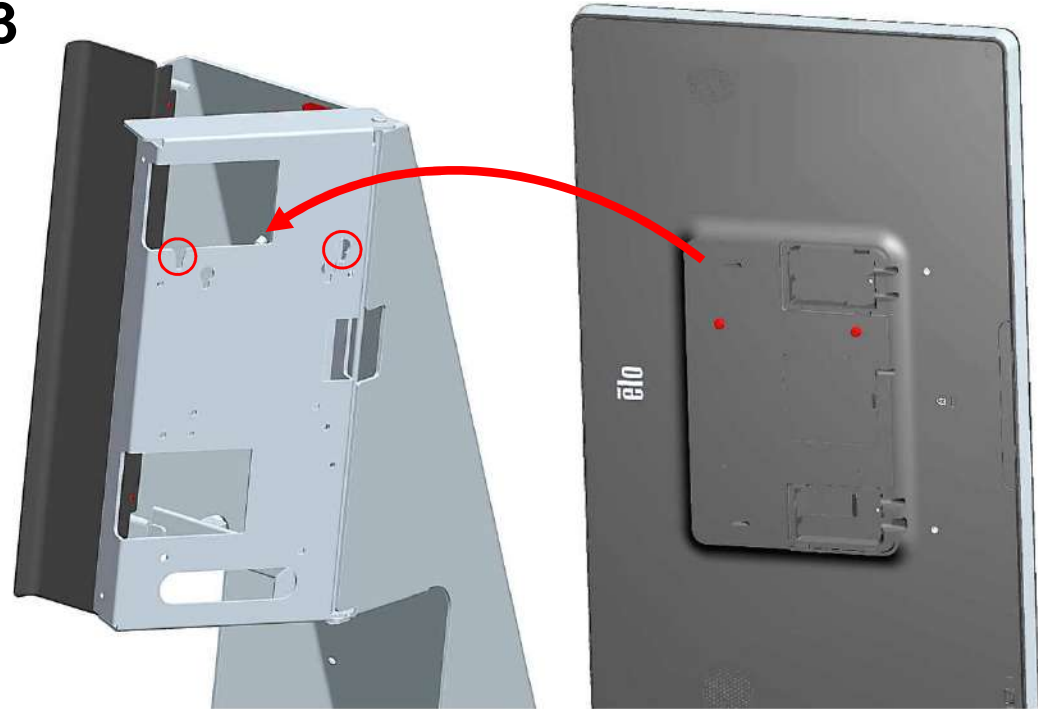
Remove and save (2) hex-head screws using provided hex wrench. Open display mount and support with kick-stand.

Kick-stand



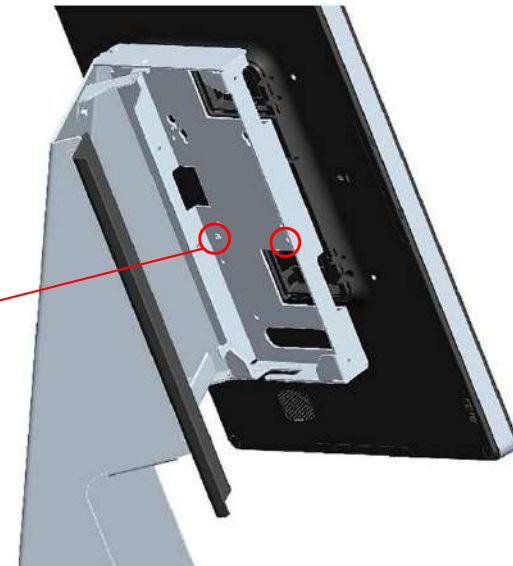
For adding EMV Mount to Desk/Floor Stand, go to step **15**
 For **NO** EMV Mount, continue to step **13**

13



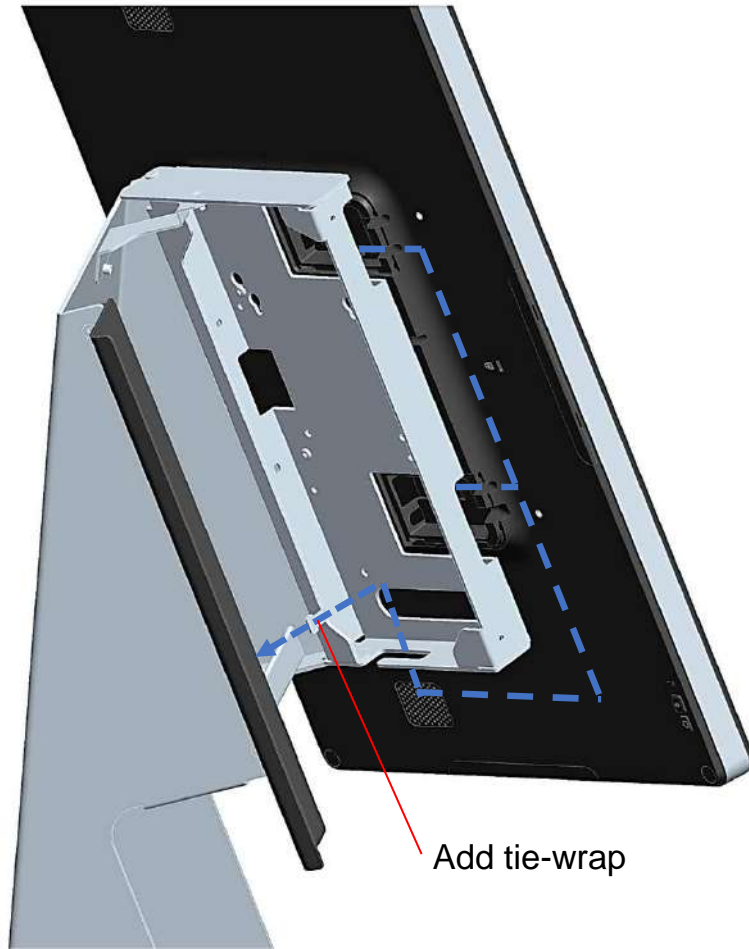
Assemble (2) screws from bag "1" to top VESA mount hole on back of I-Series. Assemble display to top slotted holes on stand bracket. Add remaining (2) screws to bottom VESA mount

Assemble bottom (2) VESA mount screws from back side.



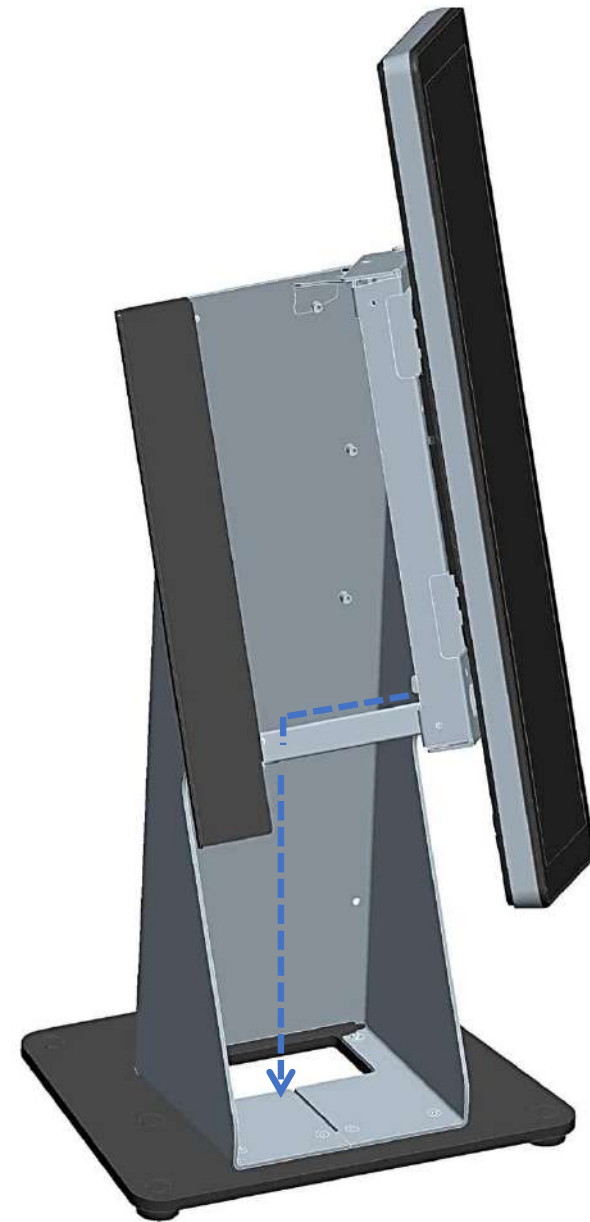
Continue to step **14**

14



Add tie-wrap

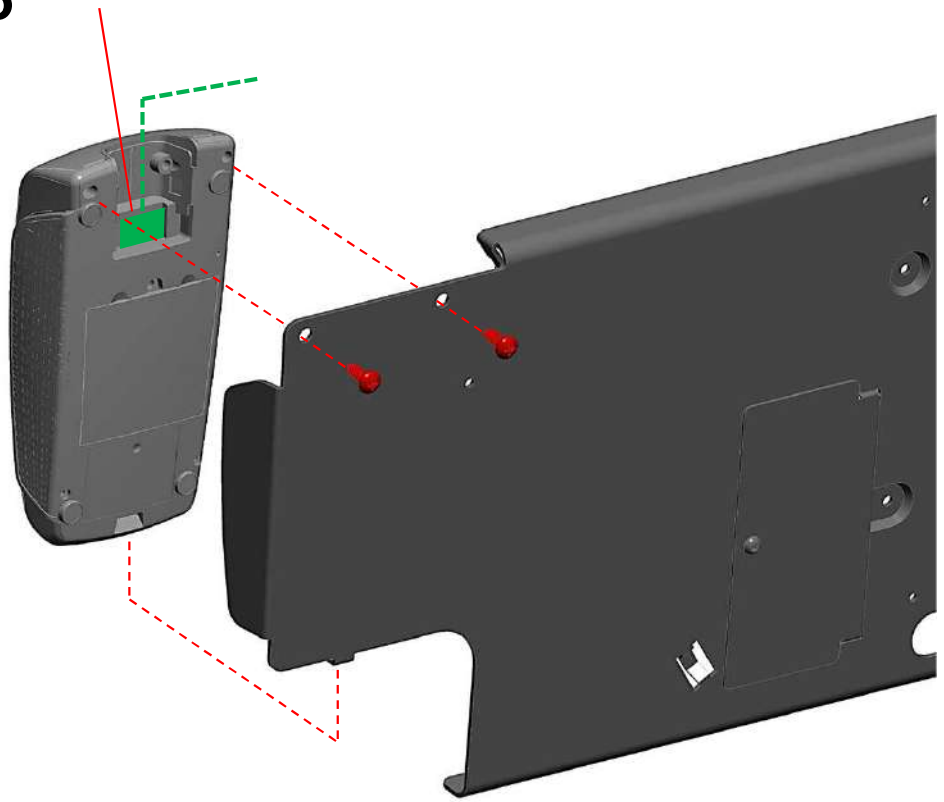
Route needed cables from I-Series through stand.



Continue to step **31** for Countertop Stand

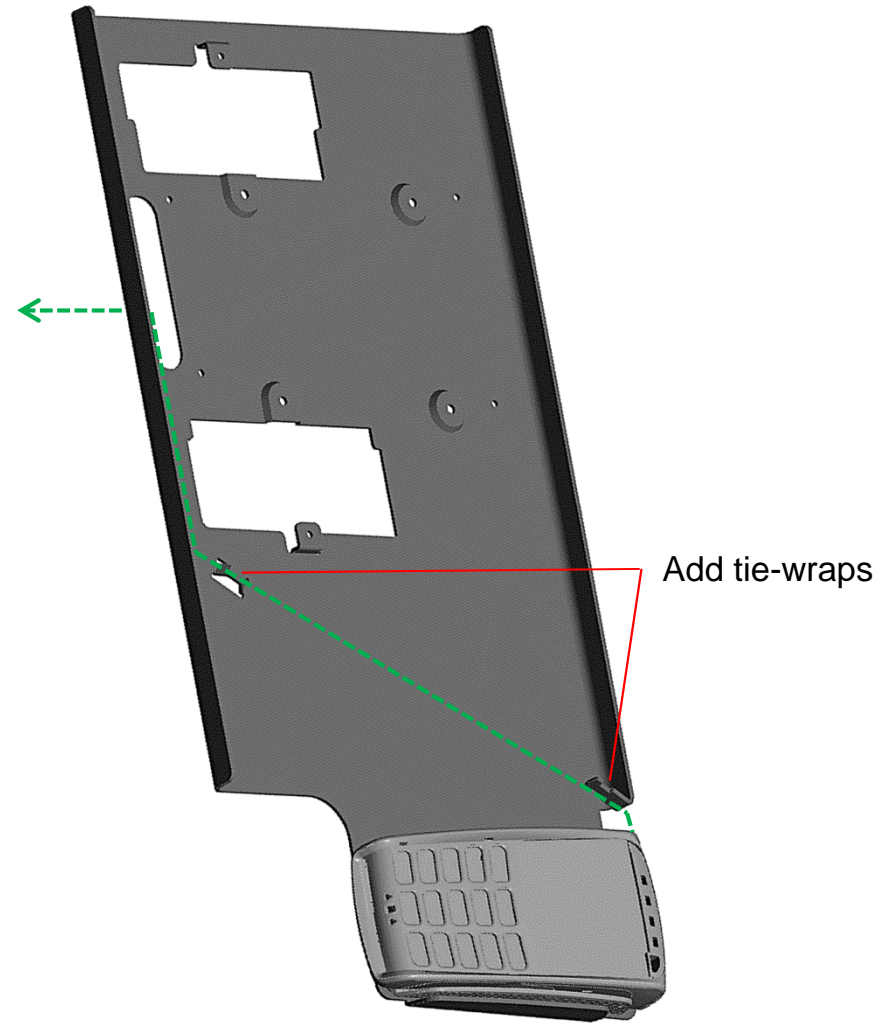
For **Ingenico iPP350** EMV Cradle (E062899), go to step **15**
 For **Verifone MX915 / Ingenico iSC250** EMV Cradle (E062704), go to step **23**

15 Add cable to iPP350.



Assemble iPP350 to bracket using hook on bracket and (2) screws from bag "J".

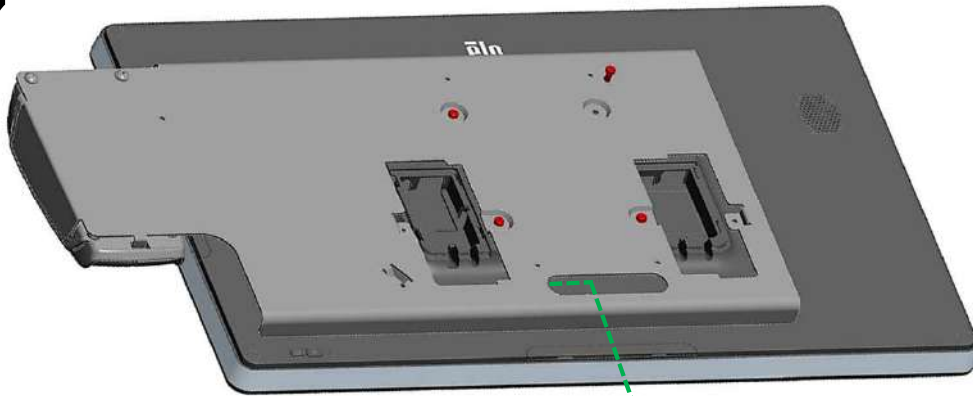
16



Route terminal cable through bracket.

Add tie-wraps

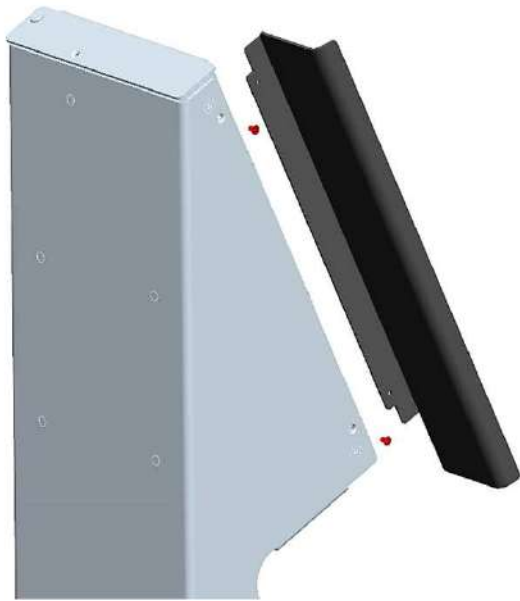
17



(EMV terminal cable to exit hole)

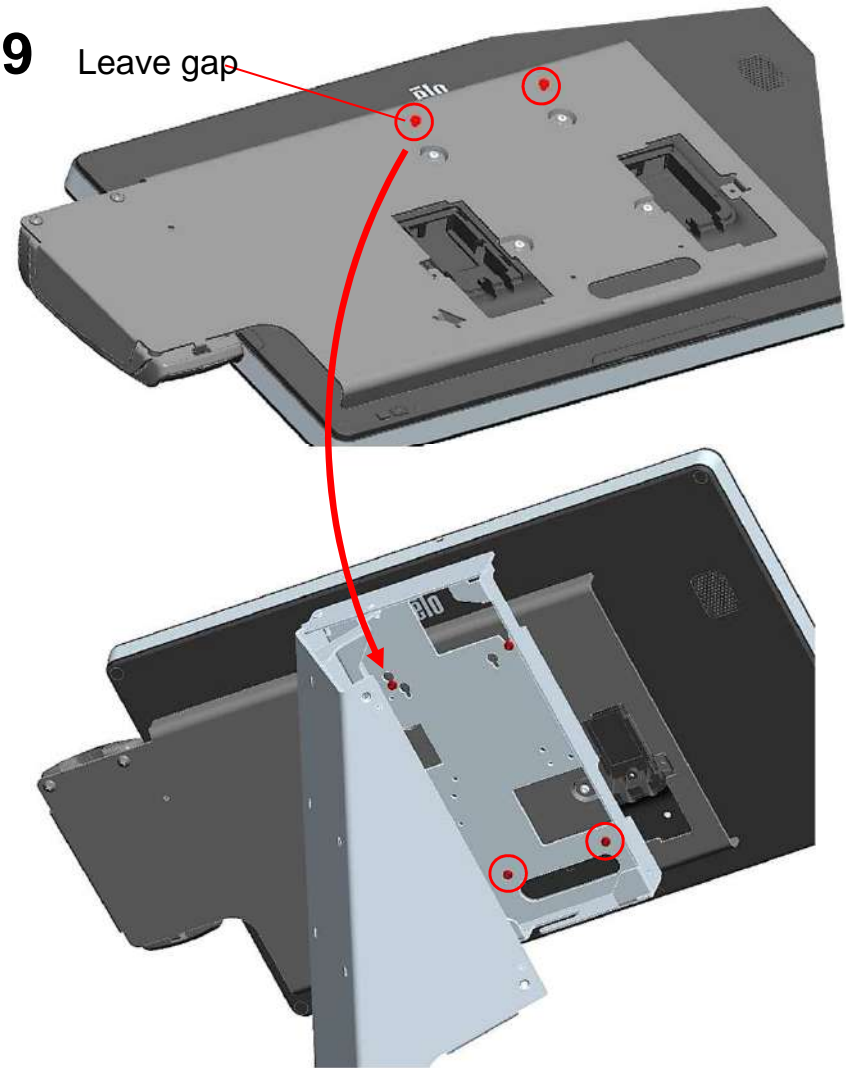
Assemble EMV Cradle assembly to 22" I-Series using (4) screws from bag "I".

18



Remove (2) screws and take off cable cover.

19

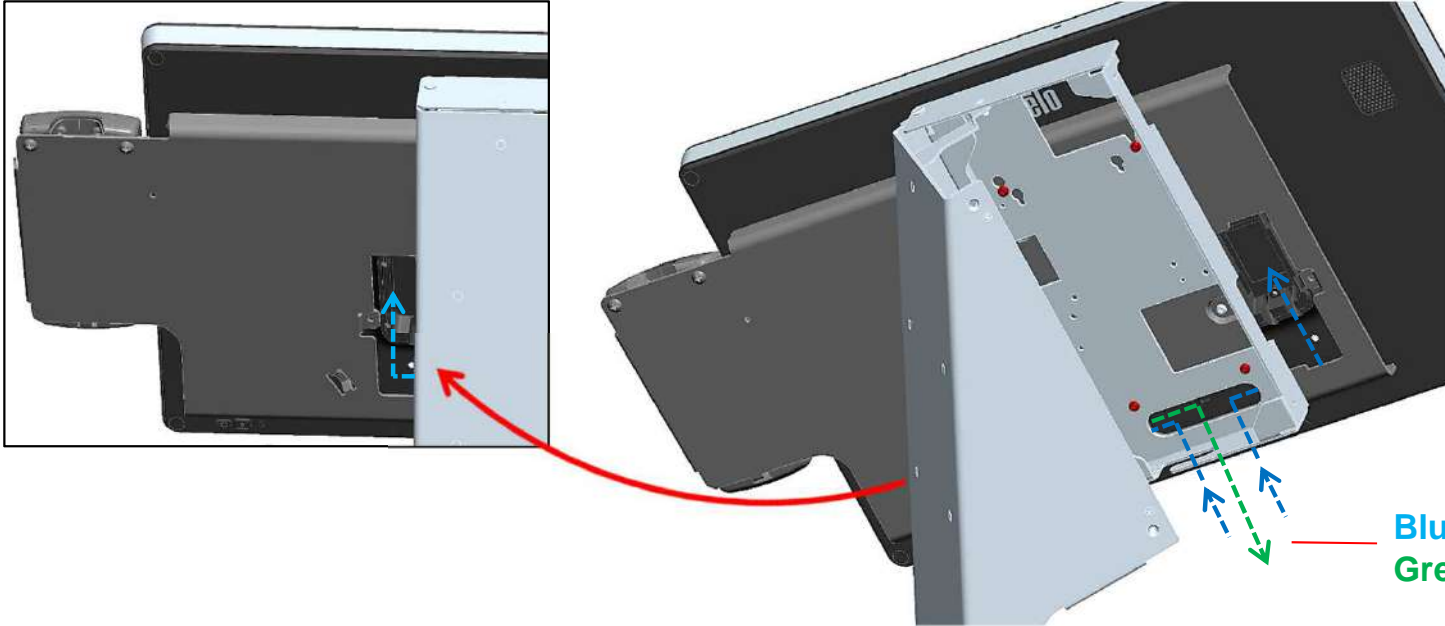


Leave gap

Assemble (2) screws from bag "I" (in Countertop Stand kit) to top VESA mount hole on back of 22" I-Series. Assemble display to top slotted holes on stand bracket. Add remaining (2) screws from bag "I" to bottom of mount.

Continue to step **20**

20

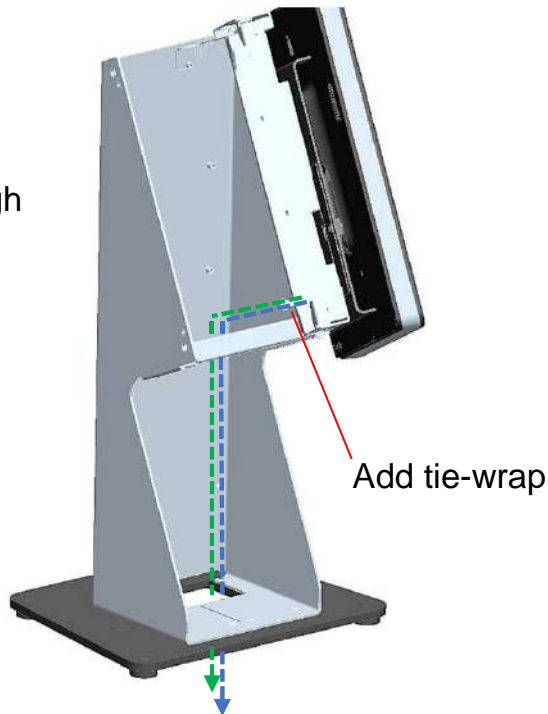


Add needed cables to 22" I-Series; Route cables through slot in stand bracket to 22" I-Series connectors.

Blue = 22" I-Series cables
Green = EMV terminal cable

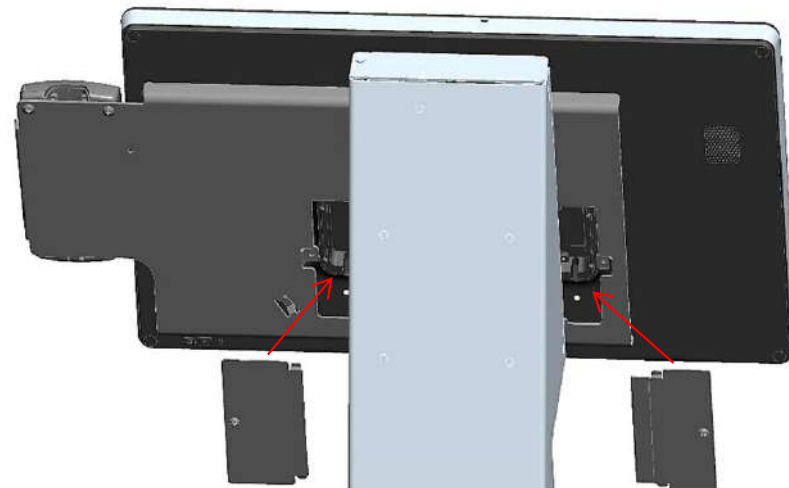
21

Route EMV / 22" I-Series cables through stand.



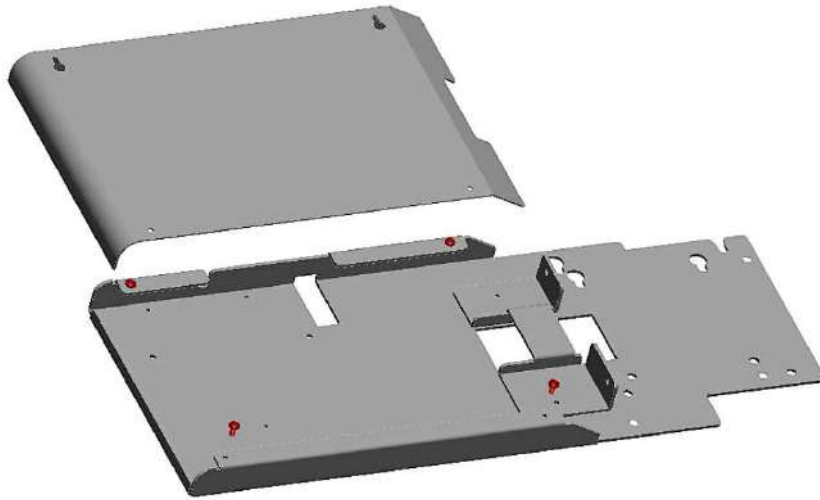
22

Assemble left and right doors using provided hex wrench.



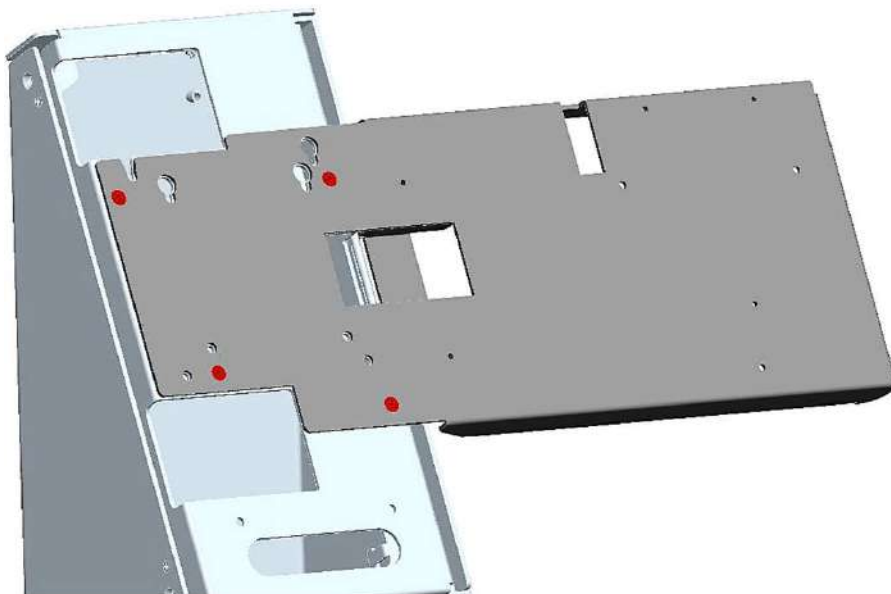
Continue to step 31

23



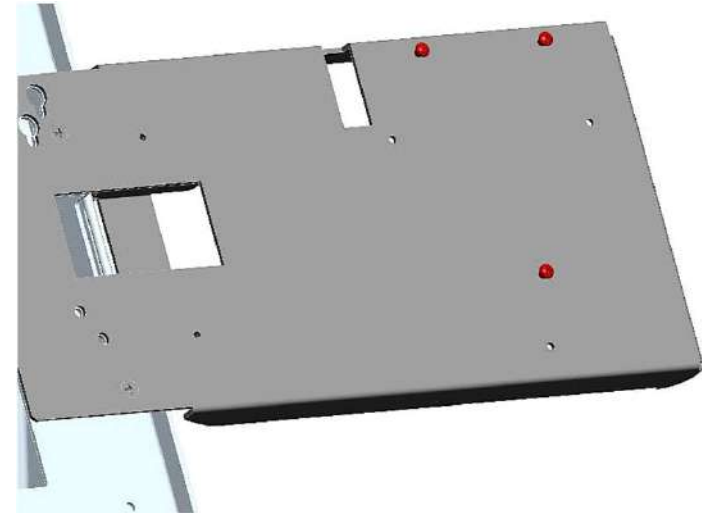
Remove and save (4) screws and take off cover.

24



Add bracket to stand using (4) screws from bag "F".

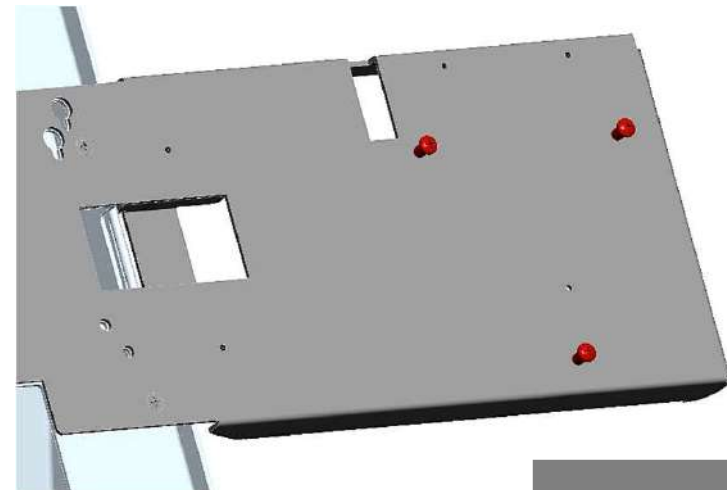
25



Screw locations for Verifone MX915

Add (3) screws for mounting EMV terminal:

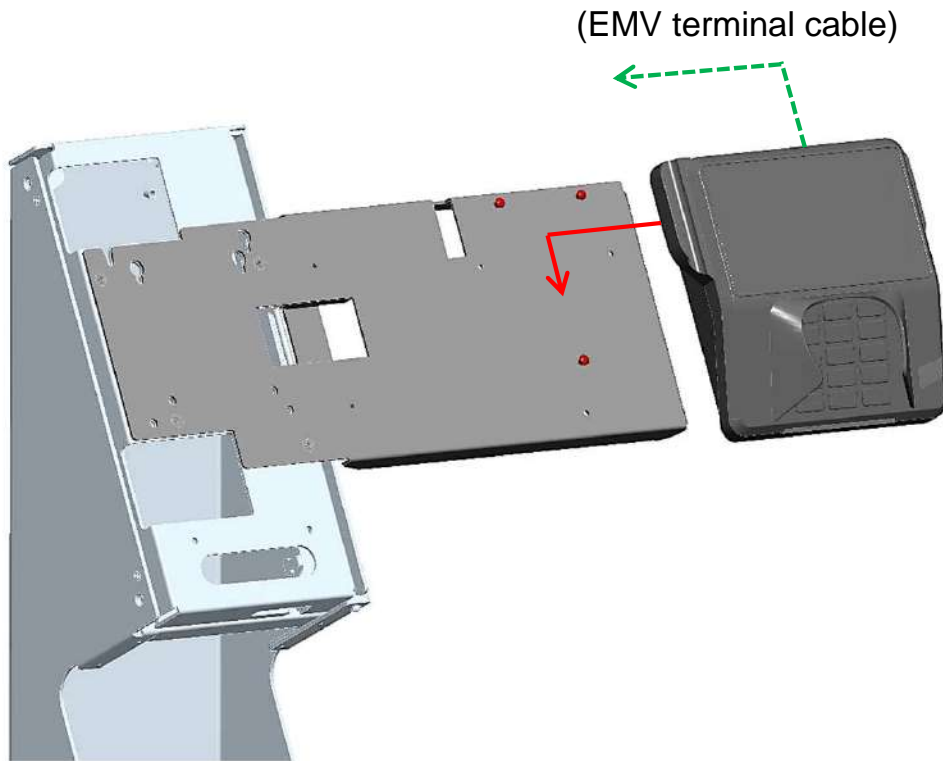
- Use bag "G" for Ingenico iSC250
- Use bag "H" for Verifone MX915



Screw locations for Ingenico iSC250

Continue to step 26

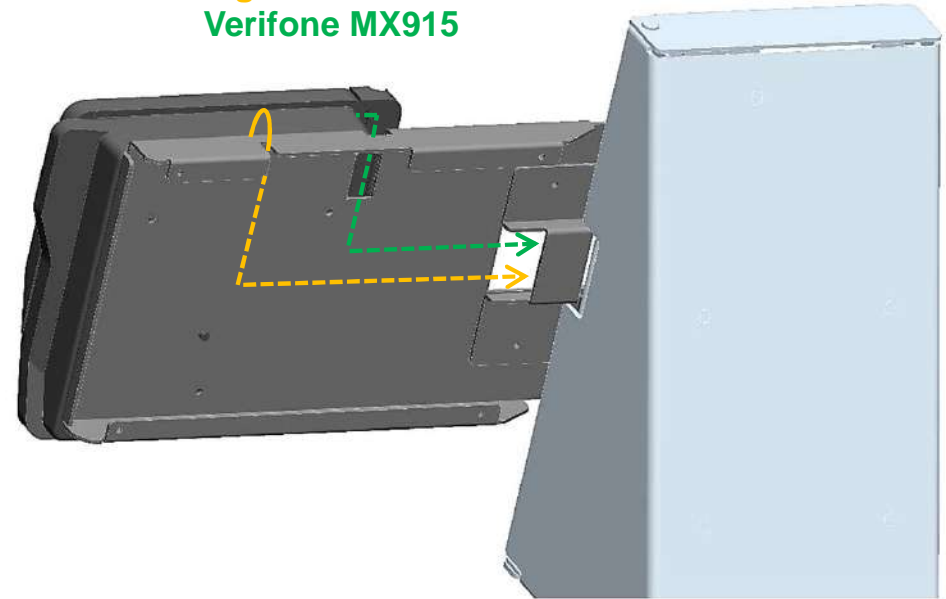
26



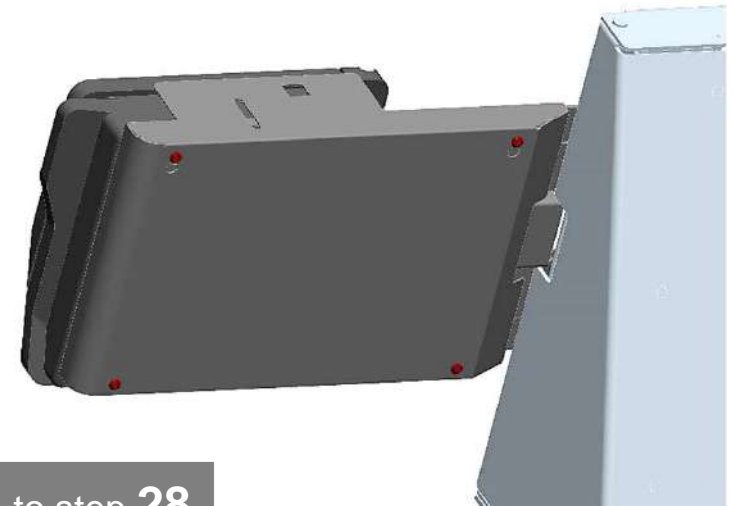
Attach EMV terminal cable and slide terminal onto bracket.

27

EMV terminal cable:
Ingenico iSC250
Verifone MX915

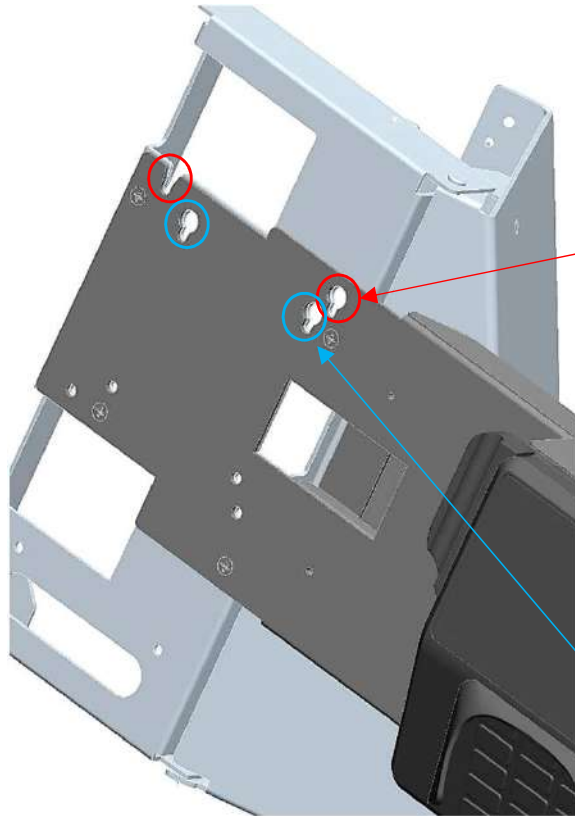


Route EMV terminal cable, and assemble cover onto bracket.

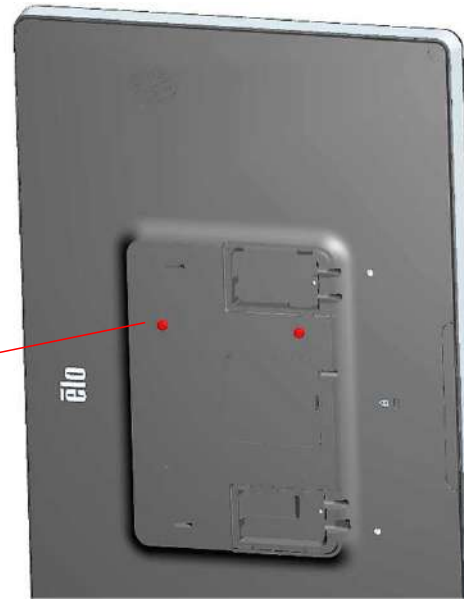


Continue to step 28

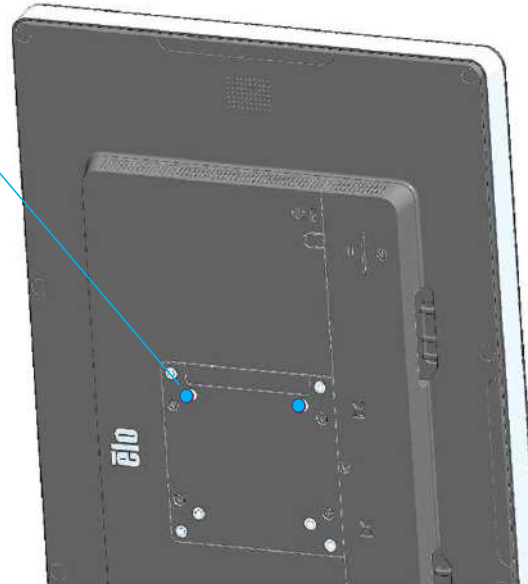
28



Assemble (2) screws from bag "1" to top VESA mount hole on back of 22" I-Series. Assemble display to top slotted holes on stand bracket.

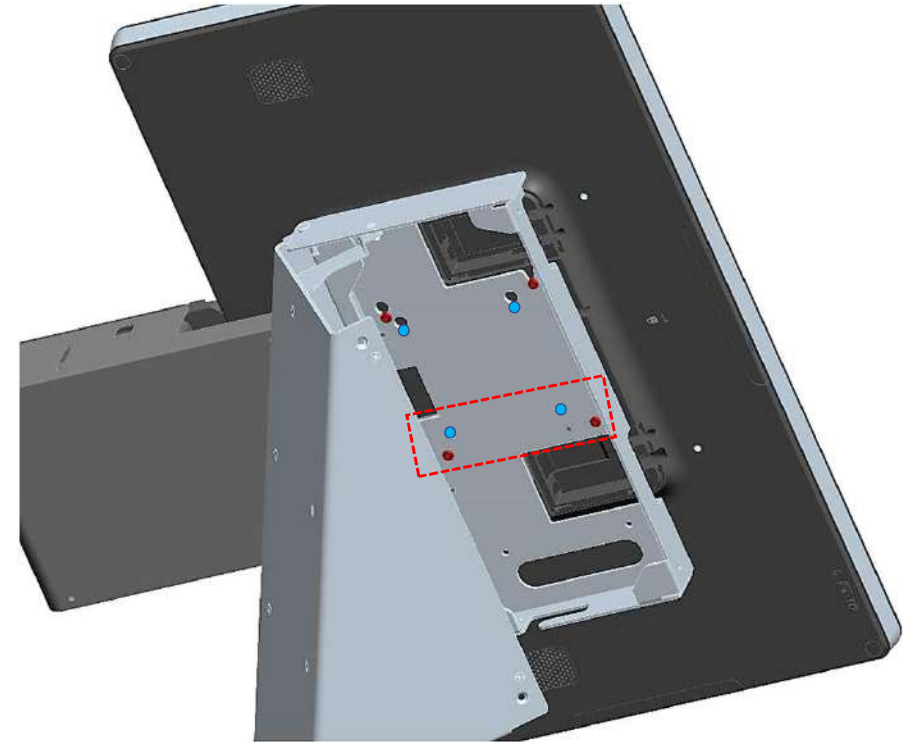


22" I-Series Android



22" I-Series Windows series

29



Add remaining (2) screws from bag "1" to bottom VESA mount.

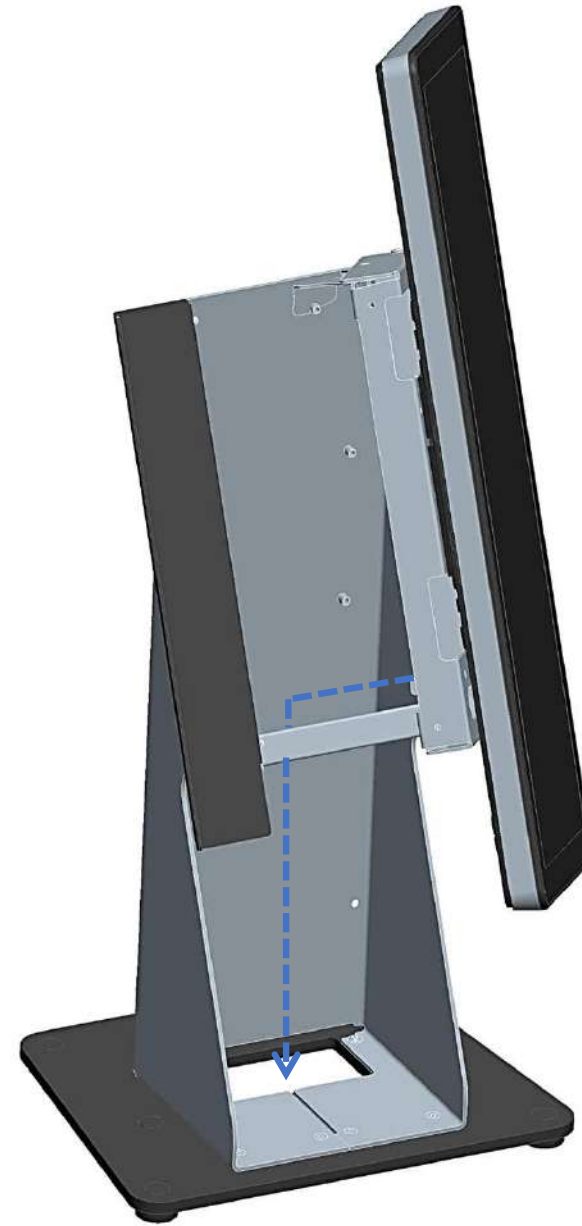
Continue to step **30**

30



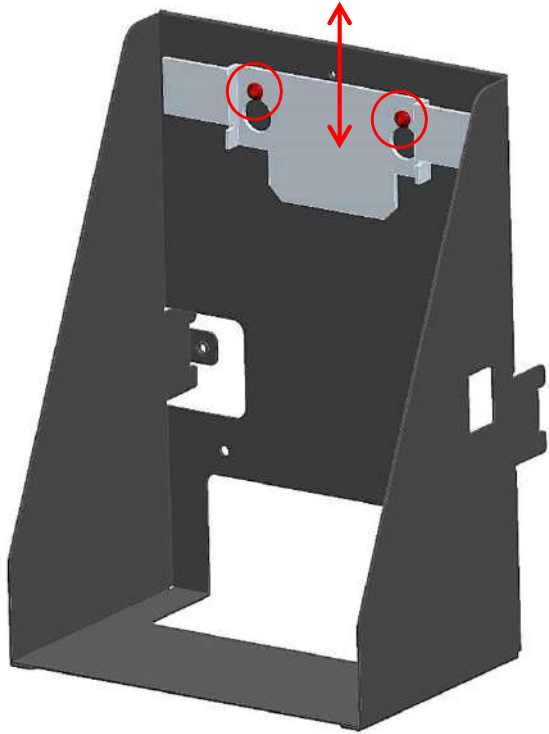
Add tie-wrap

Route needed cables from **22" I-Series** / **EMV terminal** through stand.

Continue to step **31**

31

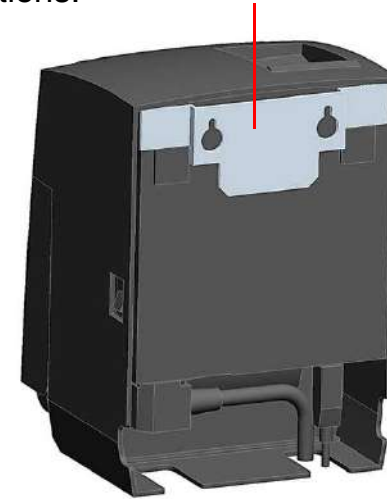
Continue with step **31** for **Star** printers.
For **Epson TM-T88**, go to step **34**.



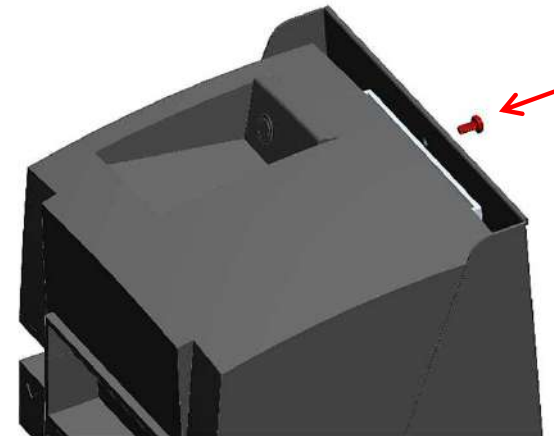
Add (2) screws from bag “C” to printer tray; use Star printer bracket to set depth of screws then remove Star bracket.

32

Add Star printer bracket to printer; refer to Star instructions.

**33**

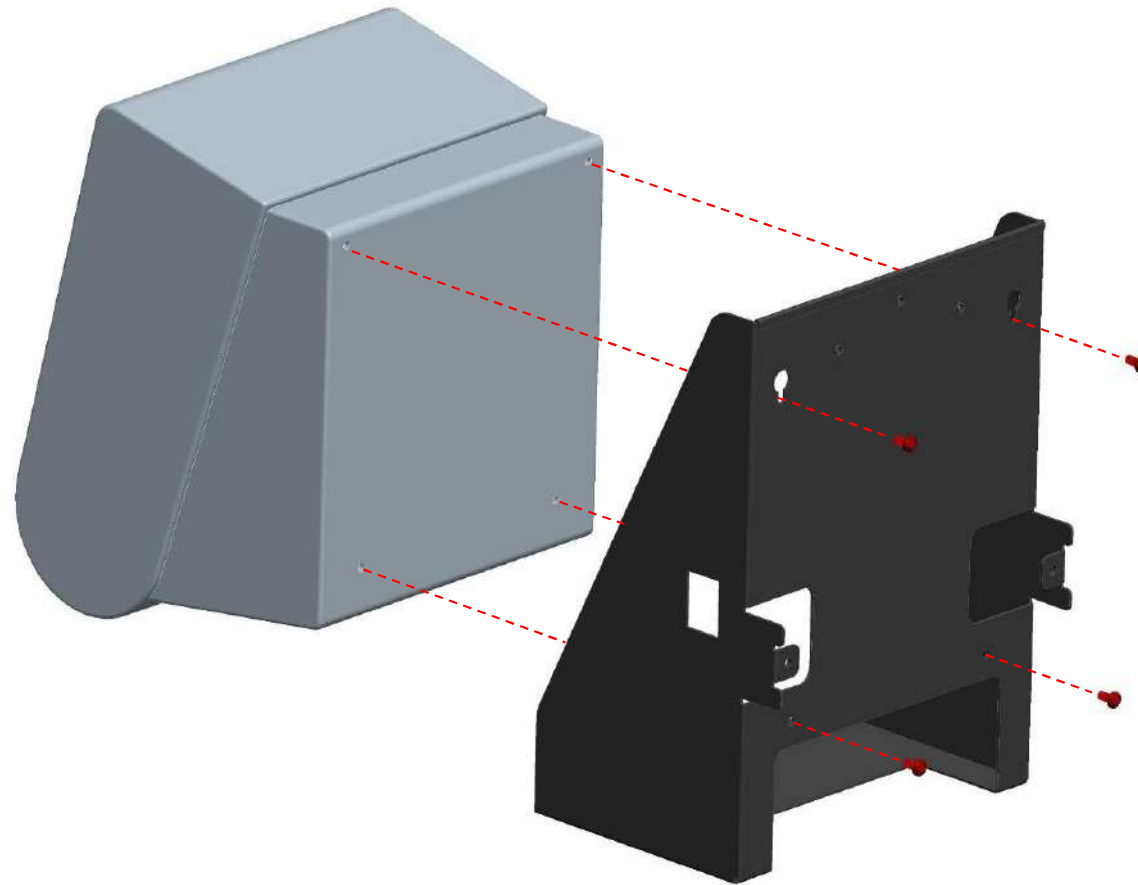
Add Star printer with bracket to printer tray. Secure printer to printer tray using 3rd screw from bag “C”.



Continue to step **35**

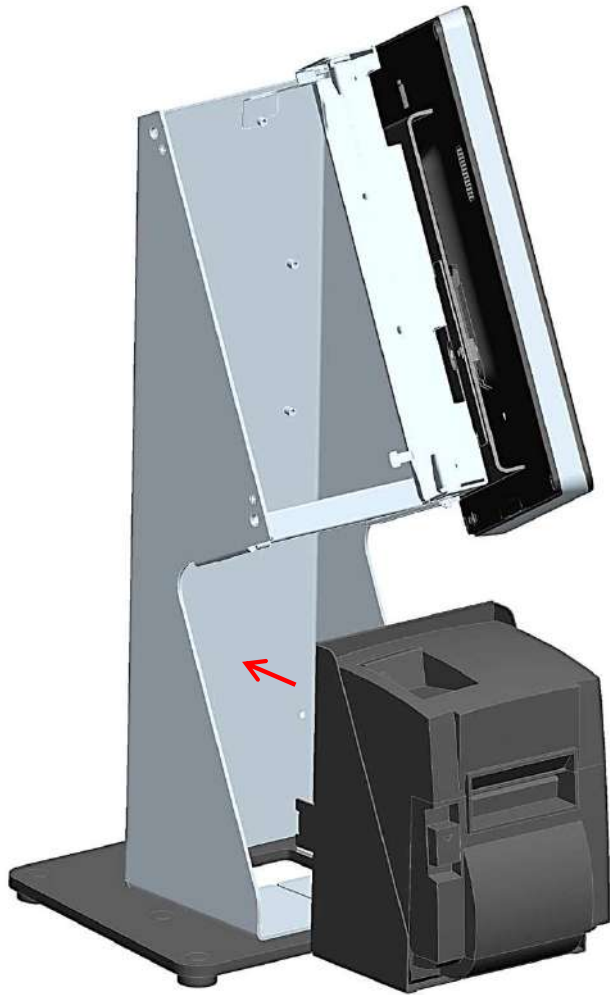
34

Epson TM-T88



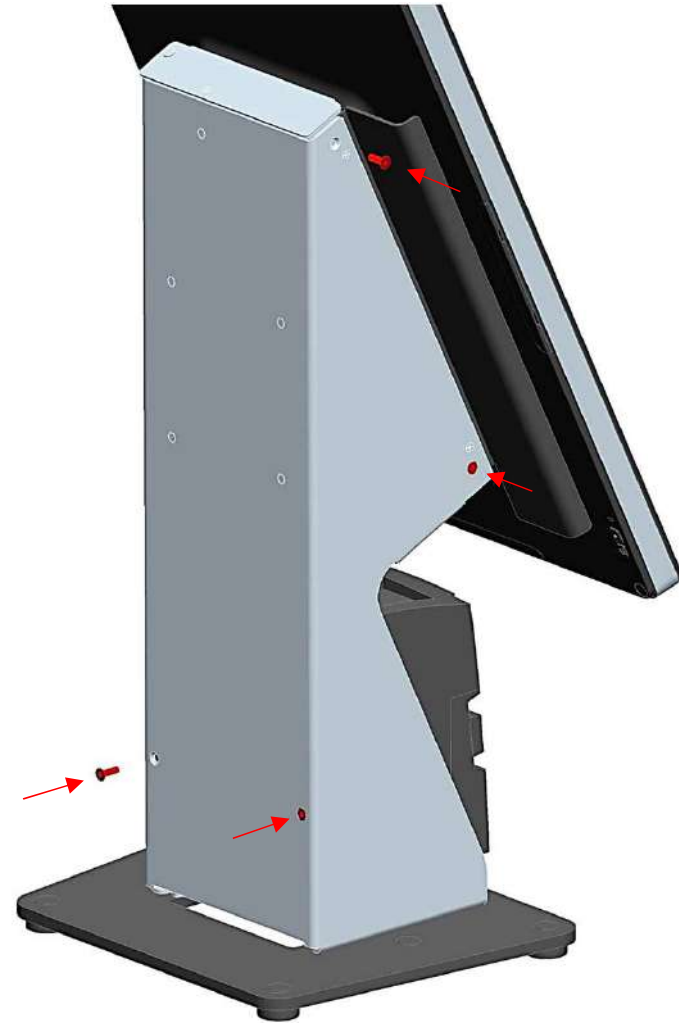
Add (4) screws from bag "D" to attach printer to the tray.

35



Route cables from/to printer as needed, slide in printer tray assembly

36



Add (2) screws saved from step 1 to secure printer assembly and (2) screws saved from step 12 to secure 22" I-Series bracket.

For more information, go to www.elotouch.com/support, or call the office nearest you.

Elo reserves the right to change or update, without notice, any information contained herein; to change, without notice, the design, construction, materials, processing or specifications of any products; and to discontinue or limit production or distribution of any products. Elo and the Elo logo are either trademarks or registered trademarks of Elo Touch Solutions, Inc. All other trademarks are the property of their respective owners.

© 2017 Elo Touch Solutions, Inc. All rights reserved. QIG600042